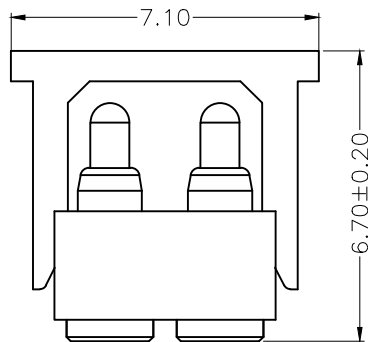
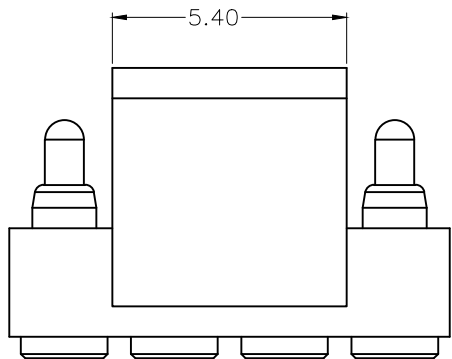
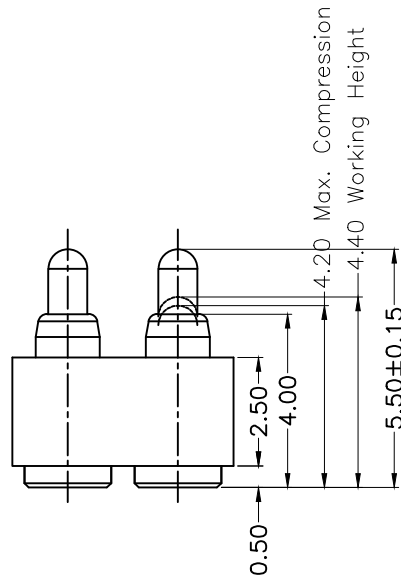
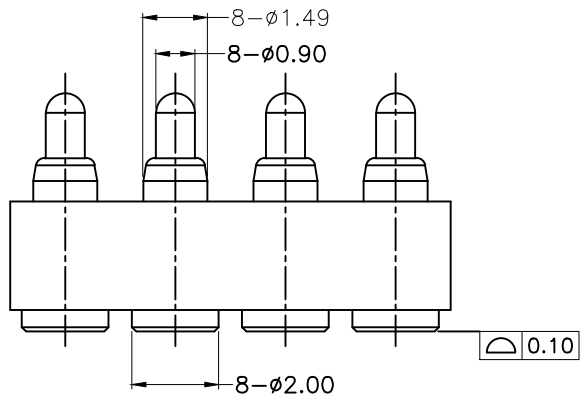
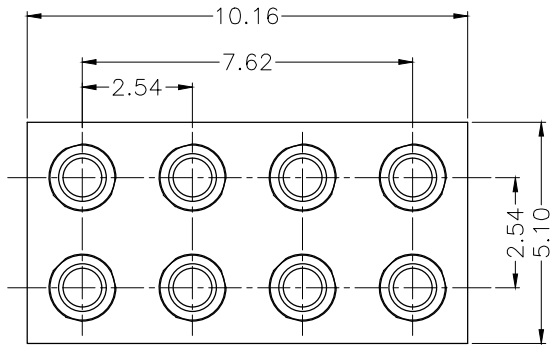


Please Approve this Drawing

Date

Signature



NO.	Part Name	Q'TY	Material	Plated surface
1	Plunger	8	无铅铜	Au 3u" Min. Over 50~100u" Ni
2	Barrel	8	无铅铜	Au 1u" Min. Over 50~100u" Ni
3	Spring	8	SUS 304	N/A
4	Housing	1	HTN	Black,UL94V-0
5	Cap	1	LCP	N/A

NOTES:

- Electrical
 - .Rated Current & Voltage : DC 24 V ; 2.0A
 - .Contact Resistance:50 mohm maximum at Working Height(Quiescence)
 - .Insulation Resistance: 500MΩ Min. at 500VDC/Minute
 - .Dielectric Withstanding Voltage: At 500VAC/Minute No Breakdown
- Mechanical
 - .Spring Force : 120gf±20% at Working Height
 - .Durability:10,000 cycles(minimum)
 - .Contact Retention Force:300gf/PIN Min.
- Environmental
 - .Operating Temperature: -25°C~+85°C
 - .Humidity Range: 10%RH~90%RH
 - .Salt Spray: 48 Hours
- Part To Be Free Form Manufacturing Lubricants.
- When the current is greater than 1A then need to increase the time delay circuit(3 second)
- To avoid arcing issue, The adaptor start to power supply after connector mated fully.
- To ensure the best usage,please operate it based on the working height.
- RoHs&HF compliant product.
- SMT Temperature: 265°C±5°, 2±0.5S
Soldering Temperature: 280°C±5°, 10±1S

DRAWN	LX	DATE	2021.08.11			东莞市燊瑞电子科技有限公司			
CHECKED		SCALE	10:1	VER.	B.0				
APPROVED		TITLE	pogo pin connector.			Ang:			
PROJECT		DRAWING NO.	NC691-08RB			0 ±1°	0 ±0.15		
SHEET	1 of 1	UNIT	mm			.0 ±0.5°	.0 ±0.10		
						.00 ±0.25°	.00 ±0.05		

VER.	DESCRIPTION	ECN NO.	DATE