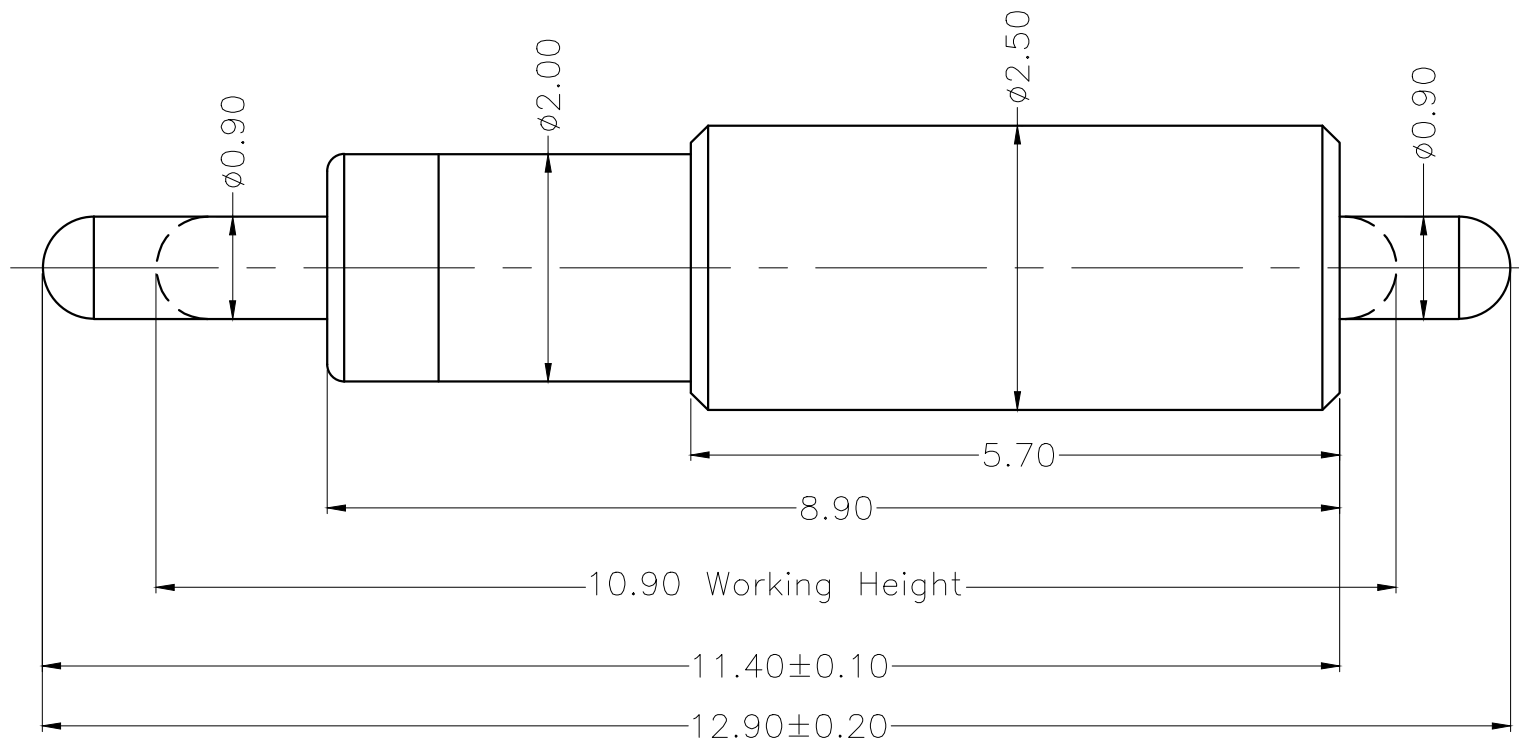


Please Approve this Drawing

Date

Signature

NO.	Part Name	Q'TY	Material	Plated surface
1	Plunger	2	无铅铜	AU 3 U" MIN OVER 50~120 U" NI
2	Barrel	1	无铅铜	AU 3 U" MIN OVER 50~120 U" NI
3	Spring	1	SUS304	Not Plated
4				



NOTES:

- Electrical
 - .Rated Current & Voltage : DC 9 V ; 2.0A
 - .Contact Resistance: 50 mohm maximum at Working Height(Quiescence)
- Mechanical
 - .Full store: 3.0 mm
 - .Working Store: 2.0 mm
 - .Spring Force: 60gf±15gf at Normal Working Height
 - .Durability:10,000 cycles(minimum)
- Environmental
 - .Operating Temperature: $-25^{\circ}\text{C} \sim +85^{\circ}\text{C}$
 - .Humidity Range: 10%RH~90%RH
 - .Salt Spray: 48 Hours
- Part To Be Free Form Manufacturing Lubricants.
- When the current is greater than 1A then need to increase the time delay circuit(3 second)
- To avoid arcing issue, The adaptor start to power supply after connector mated fully.
- To ensure the best usage,please operate it based on the working height.
- .RoHs&HF compliant product.

DRAWN	Kevin	DATE	2021.09.28			东莞市燊瑞电子科技有限公司			
CHECKED		SCALE	10:1	VER.	A.0				
APPROVED		TITLE	pogo pin connector.			Ang:	Dim:		
PROJECT		DRAWING NO.	NC3898-01PA			0	$\pm 1^{\circ}$	0	± 0.15
SHEET	1 of 1	UNIT	mm			.0	$\pm 0.5^{\circ}$.0	± 0.10
						.00	$\pm 0.25^{\circ}$.00	± 0.05

VER.	DESCRIPTION	ECN NO.	DATE