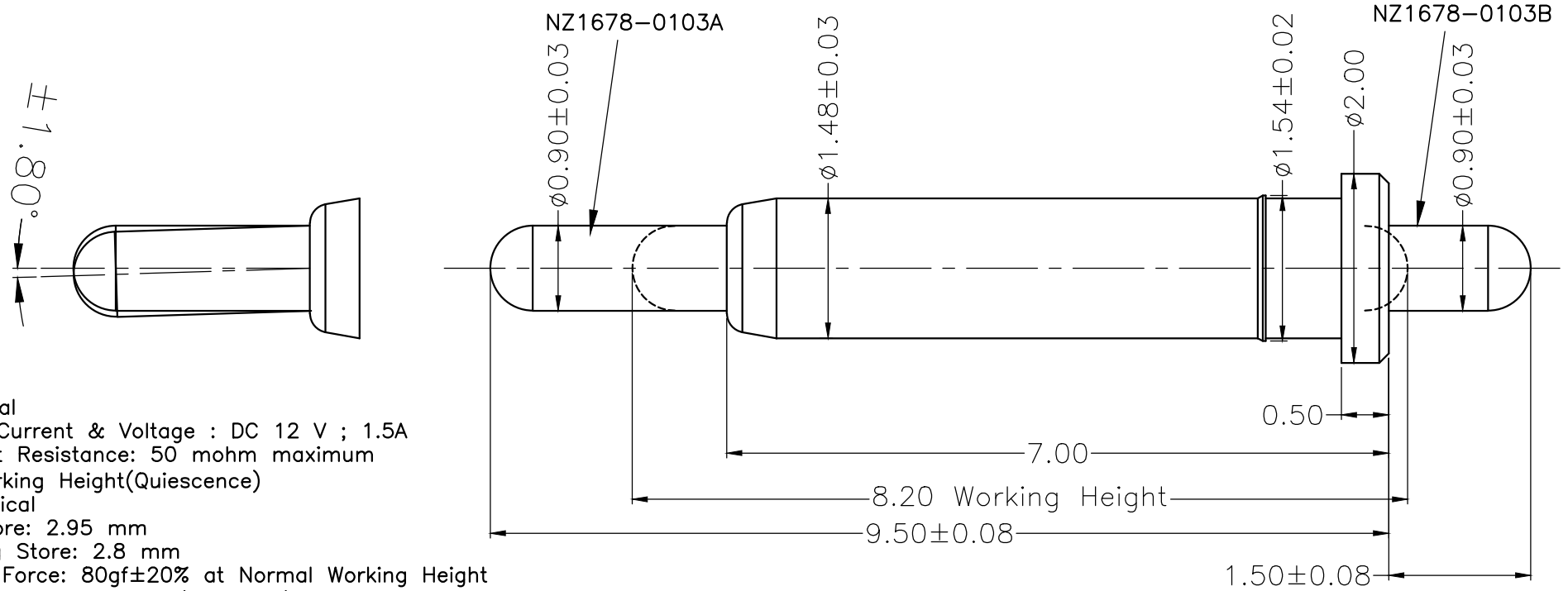


Please Approve this Drawing

Date

Signature

| NO. | Part Number  | Part Name | VER | Q'TY | Material | Plated surface                |
|-----|--------------|-----------|-----|------|----------|-------------------------------|
| 1   | NZ1678-0103A | Plunger   | B.0 | 1    | 无铅铜      | AU 3 U" MIN OVER 50~100 U" NI |
| 2   | NZ1678-0103B | Plunger   | B.0 | 1    | 无铅铜      | AU 3 U" MIN OVER 50~100 U" NI |
| 3   | NK1678-0103A | Barrel    | B.0 | 1    | 无铅铜      | AU 3 U" MIN OVER 50~100 U" NI |
| 4   | Spring       | Spring    | B.0 | 1    | SUS304   | Not Plated                    |
| 5   | PE袋          | PE袋       |     |      | 2000/袋   |                               |



NOTES:

- Electrical
  - .Rated Current & Voltage : DC 12 V ; 1.5A
  - .Contact Resistance: 50 mohm maximum at Working Height(Quiescence)
- Mechanical
  - .Full store: 2.95 mm
  - .Working Store: 2.8 mm
  - .Spring Force: 80gf±20% at Normal Working Height
  - .Durability:10,000 cycles(minimum)
- Environmental
  - .Operating Temperature: -25°C~+85°C
  - .Humidity Range: 10%RH~90%RH
  - .Salt Spray: 48 Hours
- Part To Be Free Form Manufacturing Lubricants.
- When the current is greater than 1A then need to increase the time delay circuit(3 second)
- To avoid arcing issue, The adaptor start to power supply after connector mated fully.
- To ensure the best usage,please operate it based on the working height.
- .RoHs&HF compliant product.

|          |        |             |                     |      |     |               |           |
|----------|--------|-------------|---------------------|------|-----|---------------|-----------|
| DRAWN    | Tony   | DATE        | 2021.05.26          |      |     | 东莞市燊瑞电子科技有限公司 |           |
| CHECKED  |        | SCALE       | 10:1                | VER. | B.0 |               |           |
| APPROVED |        | TITLE       | pogo pin connector. |      |     | Ang:          | Dim:      |
| PROJECT  |        | DRAWING NO. | NC1678-01PA         |      |     | 0 ±1°         | 0 ±0.15   |
| SHEET    | 1 of 1 | UNIT        | mm                  |      |     | .0 ±0.5°      | .0 ±0.10  |
|          |        |             |                     |      |     | .00 ±0.25°    | .00 ±0.05 |

| VER. | DESCRIPTION | ECN NO. | DATE |
|------|-------------|---------|------|
|      |             |         |      |