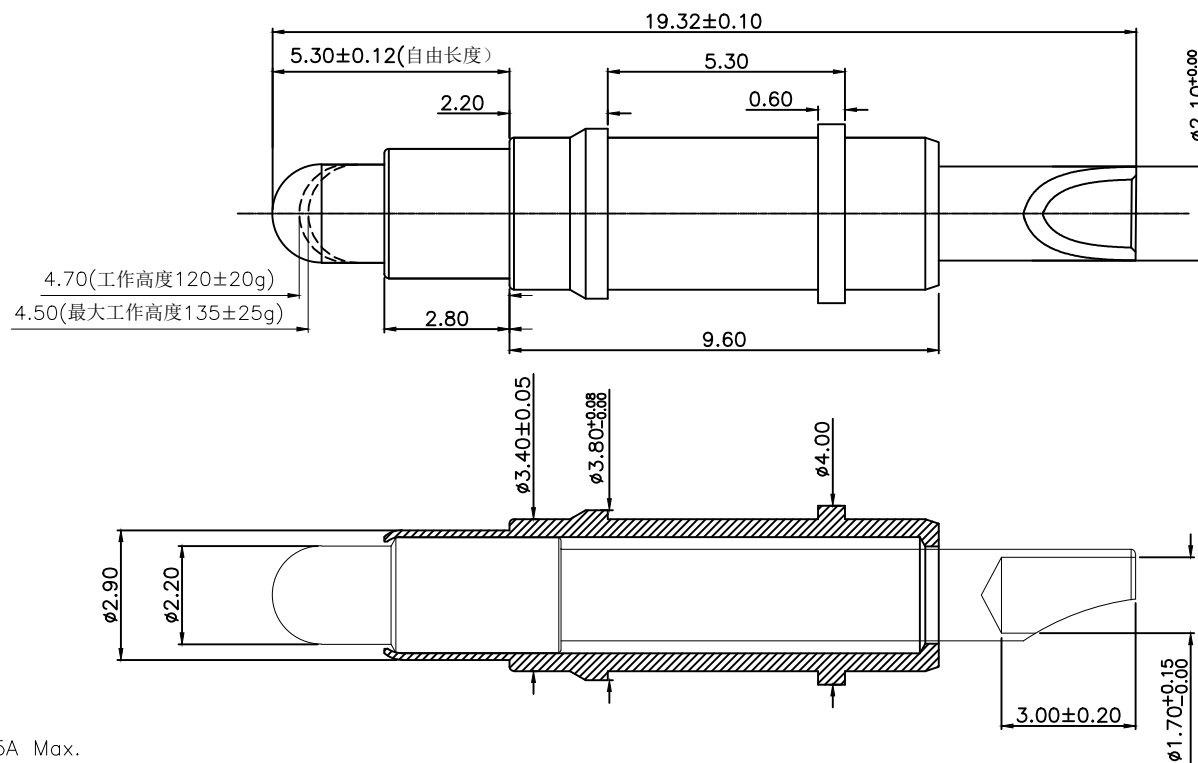


Please Approve this Drawing

Date

Signature

NO.	Part Name	Q'TY	Material	Plated surface
1	Plunger	1	C3604	Au 20u" min. over 50~120u" Ni
2	Barrel	1	C3604	Au 5u" min. over 50~120u" Ni
3	Spring	1	SUS 304	N/A
4				



- NOTES:
- Electrical
    - .Rated Current & Voltage : DC 48 V ; 15A Max.
    - .Contact Resistance: 30 mohm maximum at Working Height(Quiescence)
  - Mechanical
    - .Full store: 0.80 mm
    - .Working Store: 0.60 mm
    - .Durability:10,000 cycles(minimum)
  - Environmental
    - .Operating Temperature: -25°C~+85°C
    - .Humidity Range: 10%RH~90%RH
    - .Salt Spray: 48 Hours
  - When the current is greater than 1A then need to increase the time delay circuit(3 second)
  - To avoid arcing issue, The adaptor start to power supply after connector mated fully.
  - To ensure the best usage,please operate it based on the working height.
  - .RoHs&HF compliant product.

DRAWN	Tony	DATE	2021.05.08			东莞市燊瑞电子科技有限公司				
CHECKED		SCALE	10:1	VER.	B.0					
APPROVED		TITLE	pogo pin			Ang:		Dim:		
PROJECT		DRAWING NO.	C3246-01PA			0	±1°	0	±0.15	
SHEET	1 of 1	UNIT	mm			.0	±0.5°	.0	±0.10	
						.00	±0.25°	.00	±0.05	

VER.	DESCRIPTION	ECN NO.	DATE