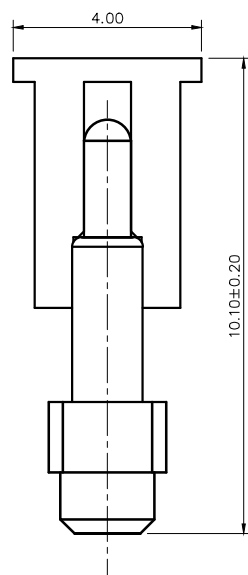
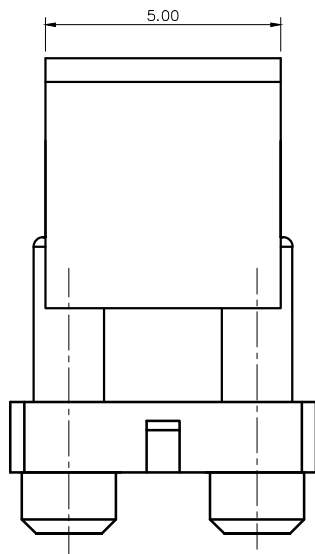
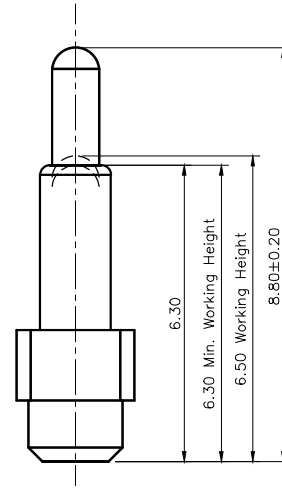
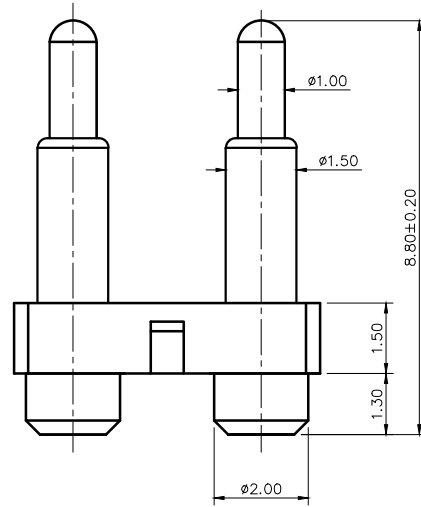
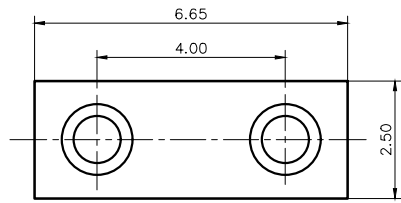


Please Approve this Drawing

Date

Signature



NO.	Part Name	Q'TY	Material	Plated surface
1	Plunger	2	C3604	AU 5 U" MIN OVER 50~100 U" NI
2	Barrel	2	C3604	AU 3 U" MIN OVER 50~100 U" NI
3	Spring	2	SUS 304	N/A
4	Housing	1	HTN	N/A
5	Cap	1	HTN	N/A

NOTES:

- Electrical
 - .Rated Current & Voltage : DC 12 V ; 2A
 - .Contact Resistance: 50 mohm maximum at Working Height(Quiescence)
 - .Insulation Resistance: 500MΩ Min. at 500VDC/Minute
 - .Dielectric Withstanding Voltage: At 500VAC/Minute No Breakdown
- Mechanical
 - .Full store: 2.50 mm
 - .Working Store: 2.30 mm
 - .Spring Force : 60gf±20% at Normal Working Height
 - .Durability:100,000 cycles(minimum)
 - .Contact Retention Force:300gf/PIN Min.
- Environmental
 - .Operating Temperature: -25°C~+85°C
 - .Humidity Range: 10%RH~90%RH
 - .Salt Spray: 48 Hours
- When the current is greater than 1A then need to increase the time delay circuit(3 second)
- To avoid arcing issue, The adaptor start to power supply after connector mated fully.
- To ensure the best usage, please operate it based on the working height.
- .RoHS&HF compliant product.

DRAWN	LX	DATE	2021.04.22			厦门品拓品电子科技有限公司			
CHECKED		SCALE	10:1	VER.	B.0				
APPROVED		TITLE	pogo pin connector.			Ang:	Dim:		
PROJECT		DRAWING NO.	C3175-02RA			0 ±1°	0 ±0.15		
SHEET	1 of 1	UNIT	mm			.0 ±0.5°	.0 ±0.10		
						.00 ±0.25°	.00 ±0.05		

VER.	DESCRIPTION	ECN NO.	DATE