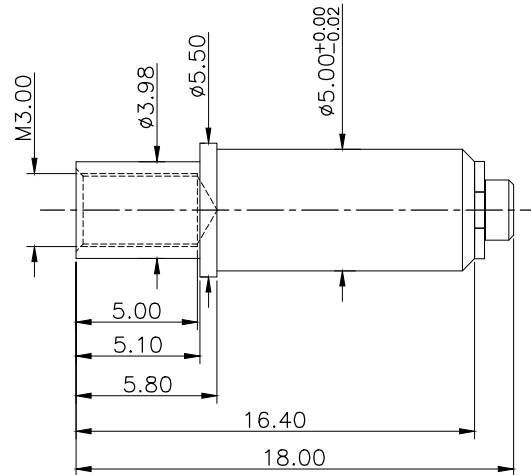


Please Approve this Drawing

Date

Signature

NO.	Part Name	Q'TY	Material	Plated surface
1	Plunger	1	C3604	Ni 80~150u"
2	Barrel	1	C3604	Ni 80~150u"
3	档圈	1	SUS 304	N/A
4	Spring	1	SUS304	N/A



NOTES:

- Mechanical
 - .Full store: 5.00 mm
 - .Working Store: 3.00 mm
 - .Spring Force: 250gf±50gf at Normal Working Height
 - .Durability:100,000 cycles(minimum)
- Environmental
 - .Operating Temperature: -25°C~+85°C
 - .Humidity Range: 10%RH~90%RH
 - .Salt Spray: 48 Hours
- To ensure the best usage, please operate it based on the working height.

DRAWN	LX	DATE	2020.09.21			东莞市燊瑞电子科技有限公司		
CHECKED		SCALE	10:1	VER.	B.0			
APPROVED		TITLE	Pogo pin			Ang:	Dim:	
PROJECT		DRAWING NO.	C2316-01			0 ±1°	0 ±0.15	
SHEET	1 of 1	UNIT	mm			.0 ±0.5°	.0 ±0.10	
					.00 ±0.25°	.00 ±0.05		

B.0	初版发行	ECN-20200921-2	20200921
VER. (版本)	DESCRIPTION(描述)	ECN NO.(变更号)	DATE(日期)