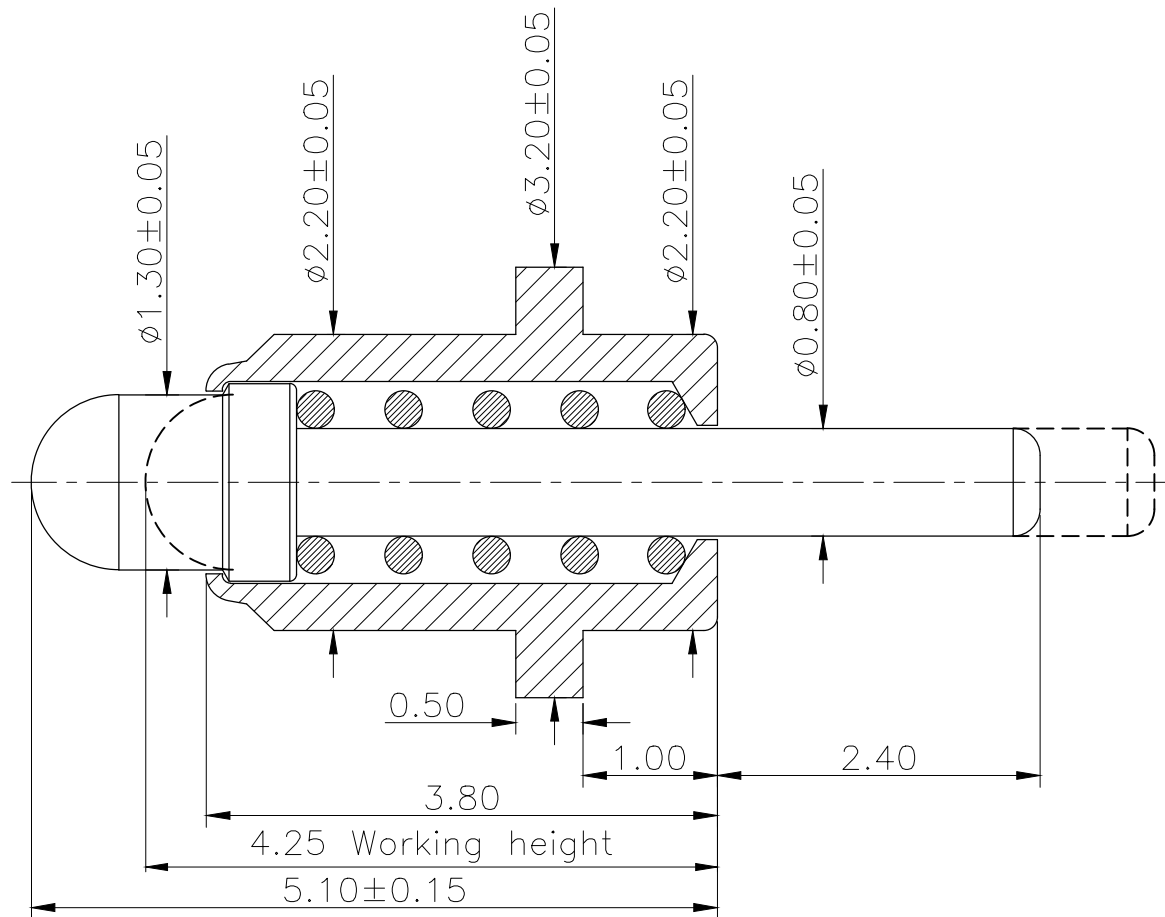


Please Approve this Drawing	
Date	
Signature	

NO.	Part Name	Q'TY	Material	Plated surface
1	Plunger	1	无铅铜	AU 5 U" MIN OVER 50~120 U" NI
2	Barrel	1	无铅铜	AU 3 U" MIN OVER 50~120 U" NI
3	Spring	1	SUS304	/



NOTES:

- Electrical
  - .Rated Current & Voltage : DC 12 V ; 5.0A Max.
  - .Contact Resistance: 50 mohm maximum at Working Height(Quiescence)
- Mechanical
  - .Full store: 1.30 mm
  - .Working Store: 0.85 mm
  - .Spring Force: 60gf±20%gf at Working Height
  - .Durability:10,000 cycles(minimum)
- Environmental
  - .Operating Temperature: -40°C~+85°C
  - .Humidity Range: 10%RH~90%RH
  - .Salt Spray: 48 Hours
- When the current is greater than 1A then need to increase the time delay circuit(3 second)
- To avoid arcing issue, The adaptor start to power supply after connector mated fully.
- To ensure the best usage,please operate it based on the working height.
- RoHs&HF compliant product.

DRAWN	lys	DATE	2020.03.20			东莞市燊瑞电子科技有限公司			
CHECKED		SCALE	10:1	VER.	B.0				
APPROVED		TITLE	pogo pin			Ang:	Dim:		
PROJECT		DRAWING NO.	C1721-01			0 ±1°	0 ±0.15		
SHEET	1 of 1	UNIT	mm			.0 ±0.5°	.0 ±0.10		
						.00 ±0.25°	.00 ±0.05		

VER.	DESCRIPTION	ECN NO.	DATE