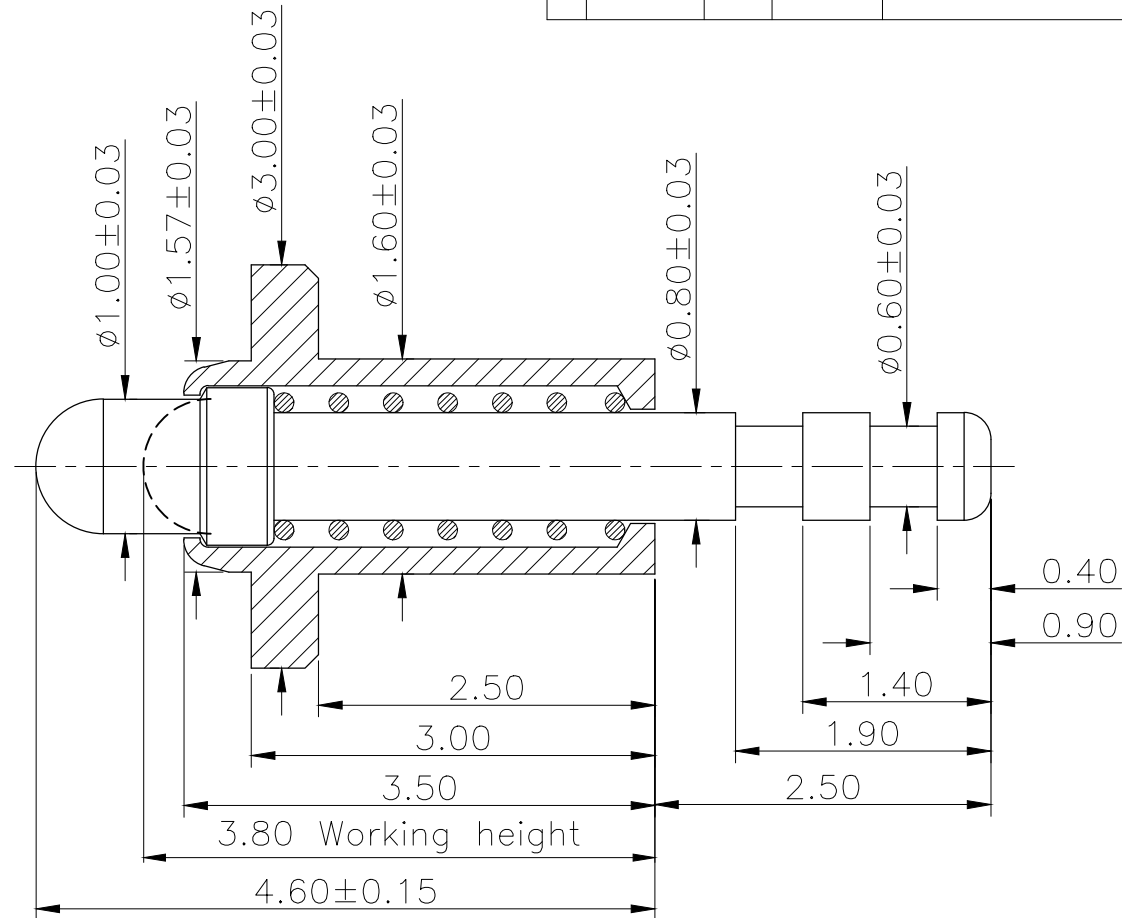


Please Approve this Drawing

Date

Signature

NO.	Part Name	Q'TY	Material	Plated surface
1	Plunger	1	C3604	AU 5 U" MIN OVER 50~120 U" NI
2	Barrel	1	C3604	AU 3 U" MIN OVER 50~120 U" NI
3	Spring	1	SUS304	/



NOTES:

- Electrical
  - .Rated Current & Voltage : DC 12 V ; 5.0A Max.
  - .Contact Resistance: 50 mohm maximum at Working Height(Quiescence)
- Mechanical
  - .Full store: 1.10 mm
  - .Working Store: 0.80 mm
  - .Spring Force: 55gf~70gf at Working Height
  - .Durability:100,000 cycles(minimum)
- Environmental
  - .Operating Temperature: -20°C~+85°C
  - .Humidity Range: 10%RH~90%RH
  - .Salt Spray: 48 Hours
- When the current is greater than 1A then need to increase the time delay circuit(3 second)
- To avoid arcing issue, The adaptor start to power supply after connector mated fully.
- To ensure the best usage,please operate it based on the working height.
- RoHs&HF compliant product.

DRAWN	lys	DATE	2020.03.26		东莞市燊瑞电子科技有限公司	
CHECKED		SCALE	10:1	VER. B.0		
APPROVED		TITLE	pogo pin		Ang:	Dim:
PROJECT		DRAWING NO.	C1719-01		0 ±1°	0 ±0.15
SHEET	1 of 1	UNIT	mm		.0 ±0.5°	.0 ±0.10
					.00 ±0.25°	.00 ±0.05

VER.	DESCRIPTION	ECN NO.	DATE